

# SHIELDED SMD POWER INDUCTOR



## PS1278 SERIES



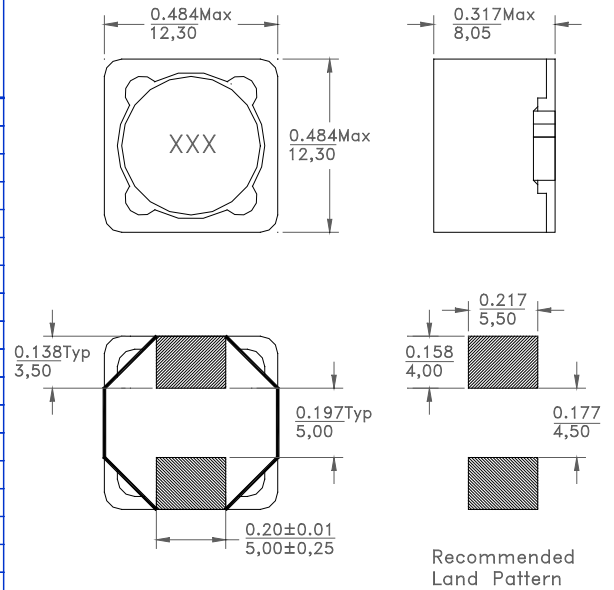
- RoHS Compliant Product
- Operating Temperature: -40°C to +85°C
- Inductance Tolerance: K=±10%, M=±20%  
Add suffix letter for tolerance after the part number
- Package: Tape and Reel  
13" machine ready reel, 500 pcs per reel

### ELECTRICAL SPECIFICATION @ 25°C

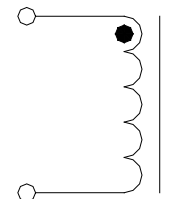
Part No	Ls (μH)	DCR Max (Ω)	Rated I <sub>DC</sub> (A)
PS1278-	±20%		
1R4M	1.4	0.010	25.2
4R7M	4.7	0.016	13.7
5R6M	5.6	0.018	12.2
6R8M	6.8	0.022	11.3
8R2M	8.2	0.023	10.1
100M	10	0.025	9.36
120M	12	0.026	8.84
150M	15	0.031	7.30
180M	18	0.035	6.10
220M	22	0.040	6.00
270M	27	0.050	5.80
330M	33	0.069	5.20
390M	39	0.077	4.68
470M	47	0.081	4.40
560M	56	0.090	4.02
680M	68	0.102	3.40
820M	82	0.140	3.12
101M	100	0.151	2.88
	±10%		
121K	120	0.203	2.62
151K	150	0.241	2.48
181K	180	0.255	2.26
221K	220	0.360	1.96
271K	270	0.462	1.74
331K	330	0.542	1.66
391K	390	0.593	1.52
471K	470	0.787	1.34
561K	560	0.864	1.24
681K	680	1.162	1.16
821K	820	1.296	1.04
102K	1000	1.483	0.97

- Inductance measured : 100KHz, 0.1V<sub>RMS</sub>
- I<sub>RATED</sub>: Typical 10% change in L drop from initial value

### Mechanical



### Schematic



#### Dimensions

Unless otherwise specified, all tolerances are:  
 inch: .XX : ± 0.015 .XXX : ± 0.004  
 mm: X,X : ± 0,38 X,XX : ± 0,10

Product performance is limited to specified parameter. Data is subject to change without prior notice.

PS1278-XX  
0946JW

13200 Estrella Ave., Bldg. B  
Gardena, CA 90248

Tel: (310) 325-1043  
Fax: (310) 325-1044

www.mpsind.com  
sales@mpsind.com